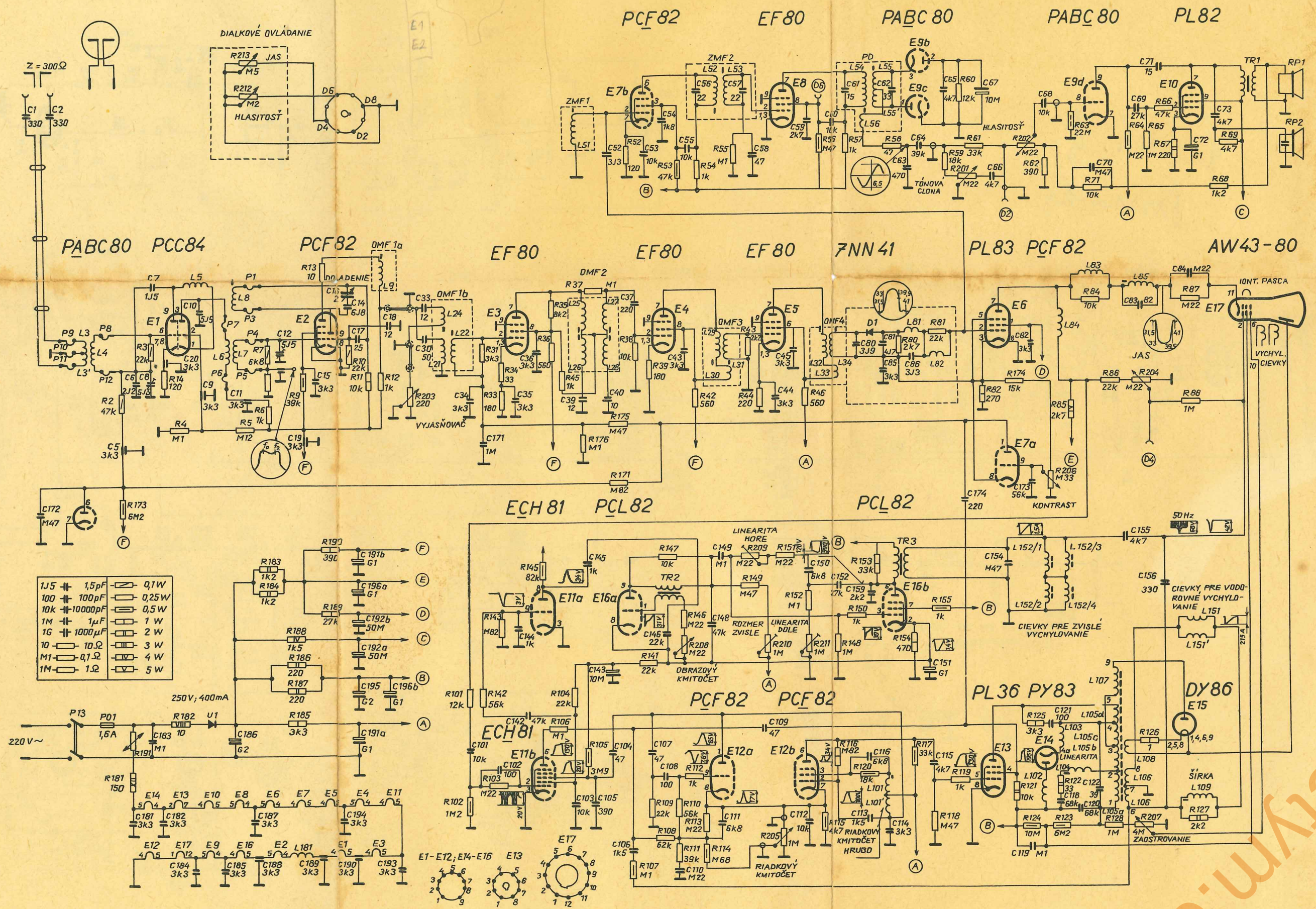


R	2, 173,	3, 14, 4,	5, 213, 212, 7, 8, 6,	9, 13,	10, 11, 12,	203,	31, 34, 33,	35, 35, 45, 176, 37,	175, 171, 52, 38, 39, 53, 54, 42, 55, 43, 44,	46, 56,	57,	58, 80,	59, 81, 60, 201, 61, 62,	174,	202, 62, 206, 63, 85,	71, 84, 86, 64, 65, 204, 66, 67, 87, 88, 68, 69	
C	1, 172, 2,	5, 6, 7, 8, 20,	10, 9,	11, 12, 13,	16, 14, 17, 18,	30, 33,	34, 171, 35,	36,	39, 52, 40,	37, 53, 54,	55, 43, 56,	57, 58, 44, 45, 59,	60, 61, 80,	81, 85, 62, 63, 85, 64, 65, 174, 67, 68,	87, 173, 68,	70,	69, 83, 71, 72, 84, 73,
L	3, 3', 4,	5,	6, 8, 7,	181,	9,	21, 24, 22,	51, 25, 26, 27, 28,	52, 29, 53, 31, 30,	52, 29, 53, 31, 30,	32, 34, 33,	54, 56, 55, 55', 101, 101, 81, 82,	151, 102, 84, 103, 83, 104, 85,	107, 105a-d, 108, 106, 106', 151, 151', 109,	151, 102, 84, 103, 83, 104, 85,	107, 105a-d, 108, 106, 106', 151, 151', 109,	151, 102, 84, 103, 83, 104, 85,	107, 105a-d, 108, 106, 106', 151, 151', 109,



1J5	1,5 pF		0,1 W
100	100 pF		0,25 W
10k	10000 pF		0,5 W
1M	1 μF		1 W
1G	1000 μF		2 W
10	10 Ω		3 W
M1	0,1 Ω		4 W
1M	1 Ω		5 W

Obr. 7.14.* Schéma televizného prijímača Ametyst 4106-U

telexym.cz